

REV.	ECN NO OR DESCRIPTION	REVISED	DATE
AO	INITIAL RELEASE	KEN	19.09.08

NOTES:

MATERIAL :

- 1.HOUSING MATERIAL :GLASS FILLED POLYESTER UL94V-0.
- 2.CONTACT MATERIAL :PHOSPHOR BRONZE $\phi 0.46\text{mm}$.
- 3.PLATING :GOLD PLATING OVER NICKEL.
- 4.LED :OPTION

ELECTRICAL:

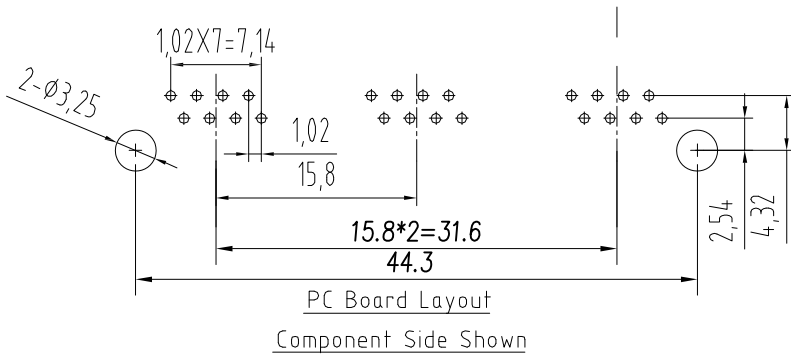
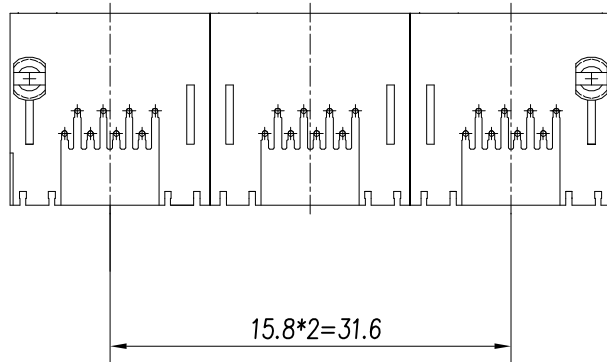
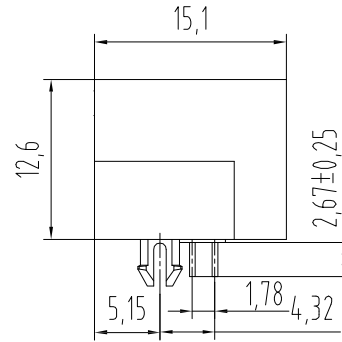
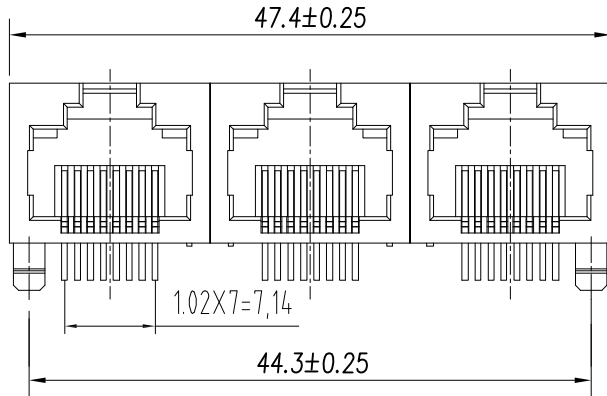
- 1.VOLTAGE RATING :125 VAC RMS.
- 2.CURRENT RATING :1.5 AMP.
- 3.CONTACT RESISTANCE :30 MILLIOHMS MAX.
- 4.INSULATION RESISTANCE :500 MEGOHMS MIN @ 500V DC .
- 5.DIELECTRIC WITHSTANDING RESISTANCE :1000V AC RMS 50Hz. 1MIN.

MECHANICAL:

- 1.DURRABILITY :750 CYCLES MIN.
- 2.PCB RETENTION PRE-SOLDER :1 LB. MIN.

ENVIRONMENTAL:

- 1. STORAGE : -40°C~+85°C
- 2. OPERATION : 0°C TO 70°C



UNLESS OTHERWISE SPECIFIED TOLERANCES		Coorle 库乐科技	
DECIMALS:	ANGLES:	TITLE	PCB JACK 56 1x4 Assembly
X :±0.20	X :±3°	DWN	Michael 19.09.08
X.X :±0.10	X.X :±1°	CHKD	
X.XX :±0.05		APVD	
		PART-NO:	
		UNIT: mm	
		SHEET:1 OF 1	
		SCALE:1/1	
ENGINEERING COPY			